
TAC10BB



Installation, Operation and Maintenance Manual

NOTICE TO INSTALLER:

- This manual contains important operation, maintenance and precautionary information. Please present this manual to user/operator/owner after installation.
- It is strongly recommended that you read this manual before installing the filter to ensure the best possible installation.
- Installation must conform to current building regulations and should only be installed by a competent person.
- Connect the system to cold water supply only. Water temperature should not exceed 38C.
- The system must be installed in a vertical and upright position.
- The system must not be used in conjunction with polyphosphate or any other scale inhibitor.
- Do not use with water that is micro-biologically unsafe or of unknown quality without adequate disinfection before the filter.

SYSTEM SPECIFICATIONS:

Max Pressure: 125 psi/8.6 bar **Max Temp:** 38C **Min Temp:** 2C

Inlet/Outlet Connections: 1" BSP Female **Max Constant Flow Rate:** 10 litres/minute

Max Peak Flow Rate: 12 litres/minute (for short periods)

OPERATION:

With sufficient water pressure, operation of the system is completely automatic. It does not require any salt, chemicals, electricity nor a drain. Dependable operation involves only periodic filter changes.

MAINTENANCE:

Routine maintenance of your system involves periodic filter cartridge changes and/or replacement of sump O-rings. If the filter sizing recommendations have been followed for the system, the cartridge (C20B) is recommended to be changed after 12 months in food services applications, and 24 months in other commercial or domestic applications.

INSTALLATION PRECAUTIONS:

Position the system in a suitable location.

The direction of flow through the filter is always from left to right.

- Do NOT install on a system with pressure above 8.6 bar/125 psi. (Use a pressure reducing valve if necessary)
- Make sure the inlet temperature does NOT exceed 38C. This may result in housing failure and damage.
- Make sure to connect the water supply to the INLET. The filter does NOT work if installed backwards.
- Do NOT use liquid pipe compound when fitting the connections. Only use PTFE tape or thread.
- Do NOT solder any connections on the filter.
- Do NOT install the filter where it could be subjected to frost.
- Do NOT install the filter in direct sunlight or where the filter is exposed to harsh chemicals or may be subjected to being struck by moving equipment, carts, mops or any other item that may cause damage.
- Do allow for a minimum of 8cm (3") under the housing to allow for filter replacement.
- If water hammer is evident, install a water hammer arrestor before the system.
- Do NOT over tighten fitting connections into inlet/outlet.
- Do always back up valves and fittings with a spanner / grip when fitting a connection in the inlet/ outlet to avoid turning the valve.
- Do NOT install the filter behind equipment where it may be difficult to access the system for filter replacement.
- Do NOT install the filter near any source of heat.
- Do NOT mount the filter above any device or area that would be adversely affected by water.

INSTALLATION PROCEDURE:

1. Determine if the water feed has an existing water treatment system. If so, examine the system for use of polyphosphate electro/magnetic devices or other scale inhibitors. The system will not be effective if used in conjunction with other scale inhibitors. Remove the scale inhibitors from the system before continuing the installation.
2. Make sure the chosen position of the the system is suitable.
3. Turn off all equipment to be fed by the filter, locate water supply stop cock and turn OFF.
4. Secure the white L bracket to a supporting wall. The L bracket can be fitted upside down.
5. Fit 1" male irons on the inlet and outlet of the housing. Use PTFE tape on the male thread.
6. Secure the black part of the housing to the L bracket.
7. It is recommended to fit full bore ball valves to both inlet and outlet sides of the filter..
8. Connect the pipework to the inlet and outlet valves using plastic pipe on the incoming supply side.
9. Install the blue sump part of the housing, making sure the filter is the correct way up and the O-ring is properly positioned. Hand tighten only and use housing key (supplied)
10. Open supply stop cock and inlet valve only and check for leaks.
11. Depress the red button on the top of the filter to allow air to escape from the system.
12. Make sure no leaks are evident before proceeding. Open the outlet valve.

(NO activation is required for the filter to perform properly. Flushing is recommended to allow air to escape the system)

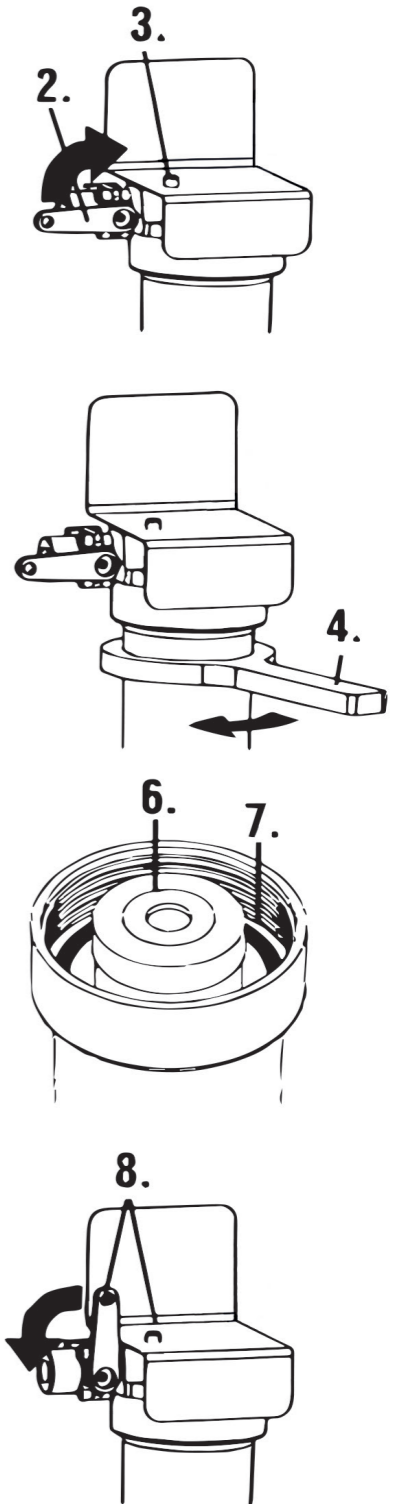
FILTER CARTRIDGE REPLACEMENT FILTER:

Use of replacement cartridges other than those specified will void warranties and certifications and may compromise equipment protection, water quality and equipment life.

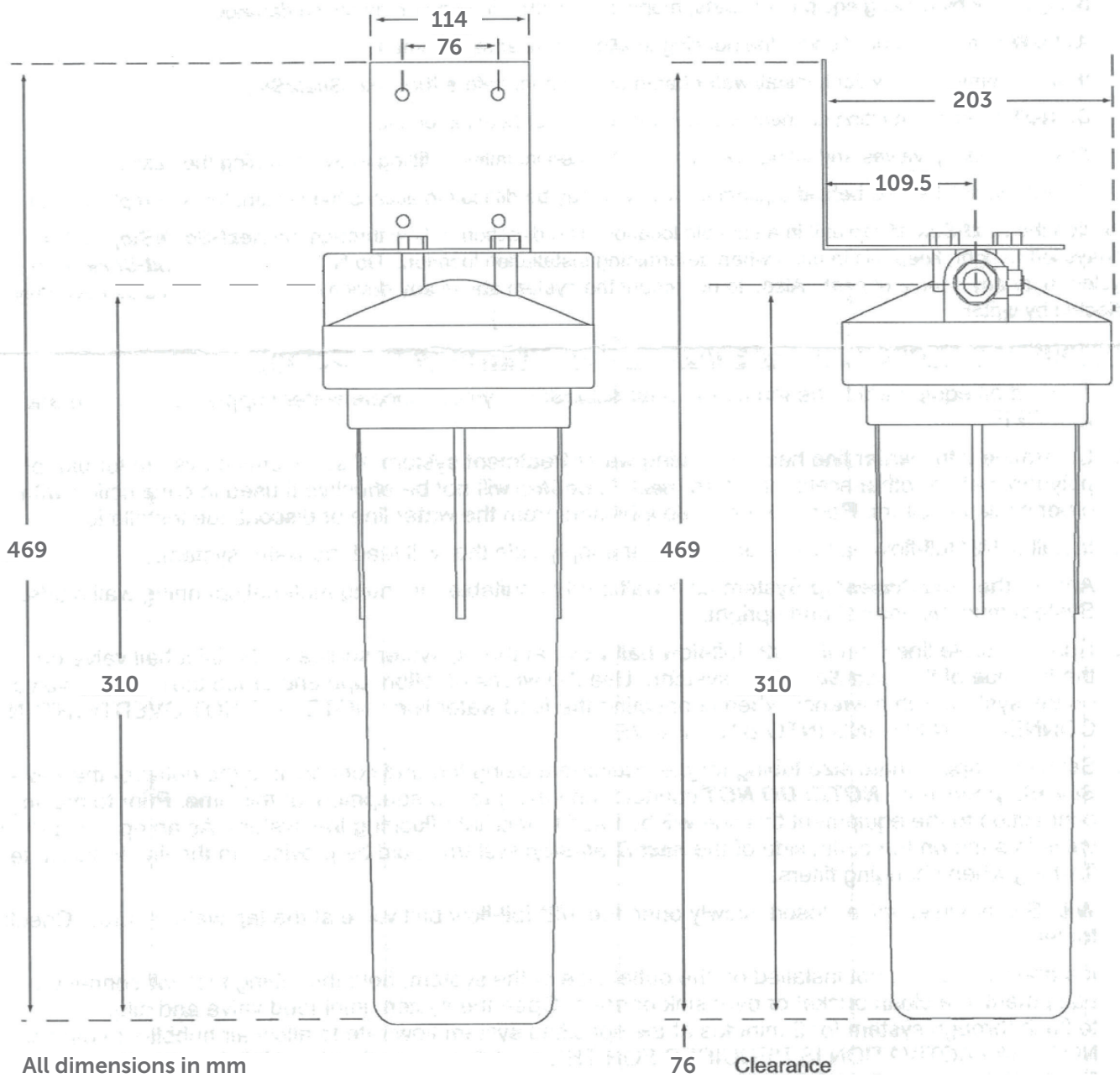
Make sure all equipment is turned OFF prior to shutting off the water supply!

It is advised that a bucket or towel is placed under the filter when replacing the cartridge to catch any water that might escape.

1. Close the inlet valve to the filter.
2. Close the outlet valve from the filter.
3. Press the red button on top of the housing to release pressure.
4. Remove the housing sump, use filter key if necessary.
5. Empty the water from the housing sump and clean inside with warm water.
6. Insert new cartridge into filter housing.
7. Check O-ring for damage and replace if damaged or distorted. Make certain the O-ring is properly positioned and reinstall the filter housing, (hand tighten).
8. Slowly open the inlet valve only.
9. Depress the red button on the top of the filter to allow air to escape from the system.
10. Check for leaks. Make sure no leaks are evident before proceeding. Open outlet valve.
11. Turn on any equipment that was closed prior to the cartridge change and make sure all air has escaped.



INSTALLATION DRAWINGS & DIMENSIONS:



**C10B
REPLACEMENT
CARTRIDGE**



**HOUSING
WITH BRACKET**